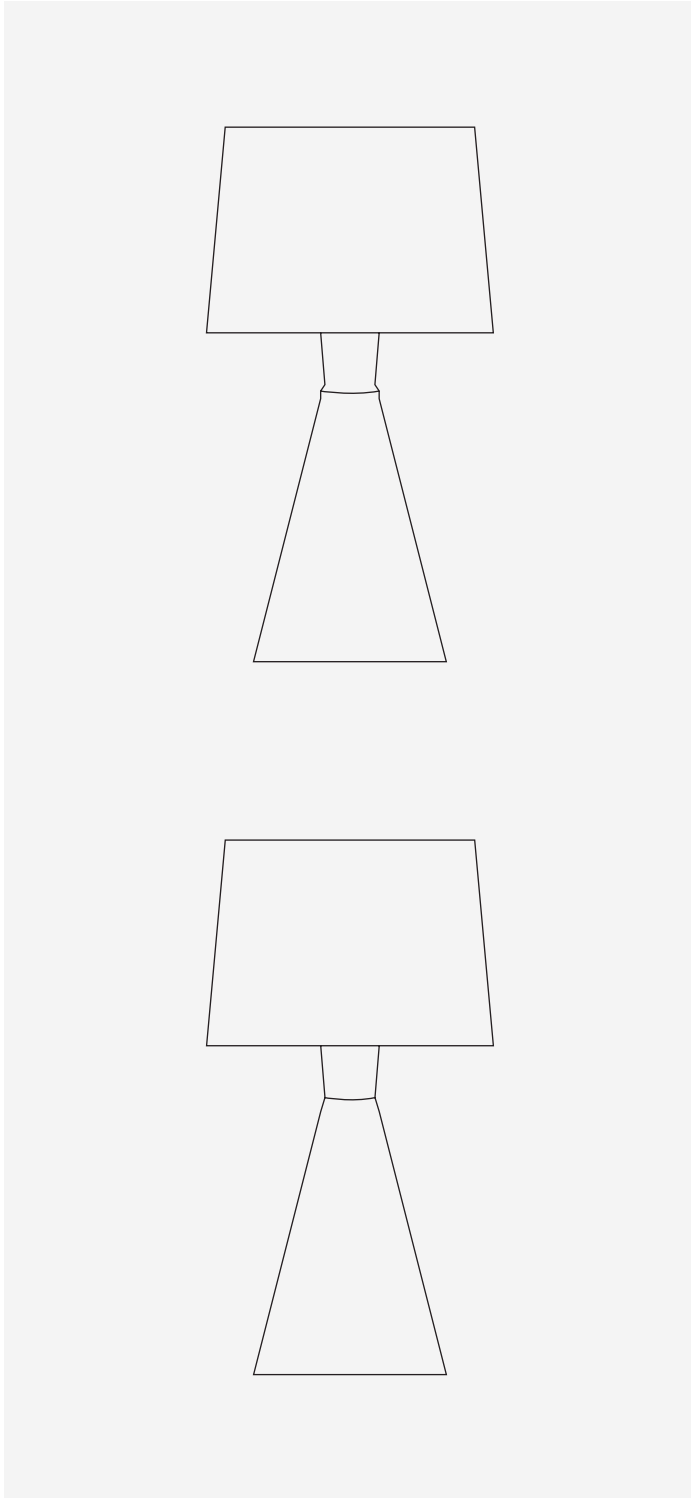


NPAGE STUDIO CERAMIC TABLE LAMP





SPECIFICATIONS

CERAMIC

 Salt

SHADE

 Black Linen

 Ivory Linen

MATERIALS

Ceramic, Linen

LAMPING

E26 Lamp Base. 120VAC. Dimming Compatible.

BULB

We suggest the use of LED bulbs only. To ensure lifelong performance we recommend the use of LED bulbs under 40 watts.

CERTIFICATION

UL Certification available upon request.

CARE

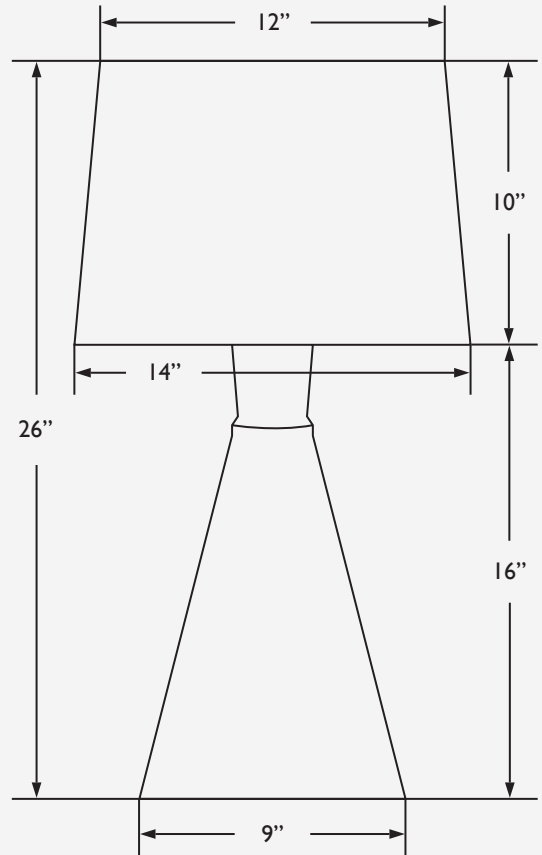
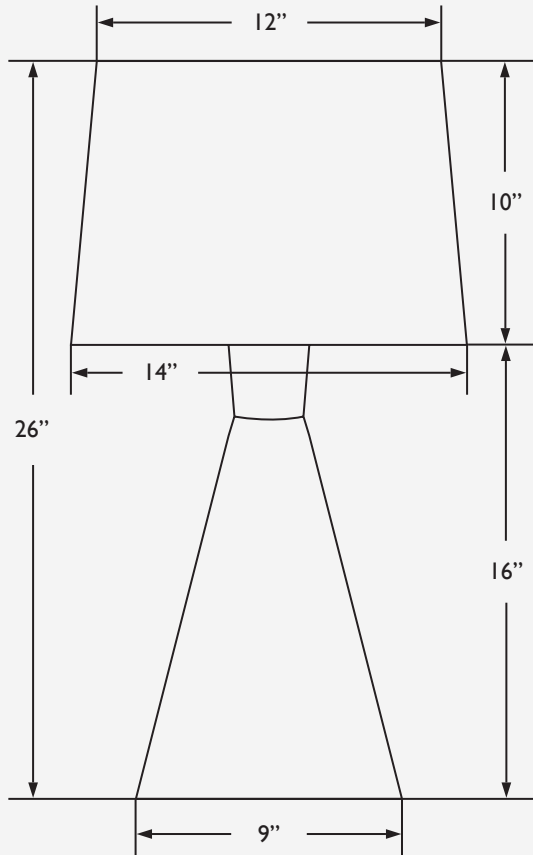
Please care for ceramic pieces with a microfiber dust cloth. Kindly avoid additional cleaners and products.

NOTES

1. Made to order. Please allow a 6 - 8 week production lead time prior to shipping.
2. Dry location rated.
3. Slight variance among glaze is to be expected.

SALT

SALT RING



DIMENSIONS

- + Overall Height: 26" H
- + Body: 9" W x 16" H
- + Shade: 10" H x 12" DIA (top) x 14" DIA (bottom)
- + Cord: 8' L

*All sizes are approximate.

DIMENSIONS

- + Overall Height: 26" H
- + Body: 9" W x 16" H
- + Shade: 10" H x 12" DIA (top) x 14" DIA (bottom)
- + Cord: 8' L

*All sizes are approximate.