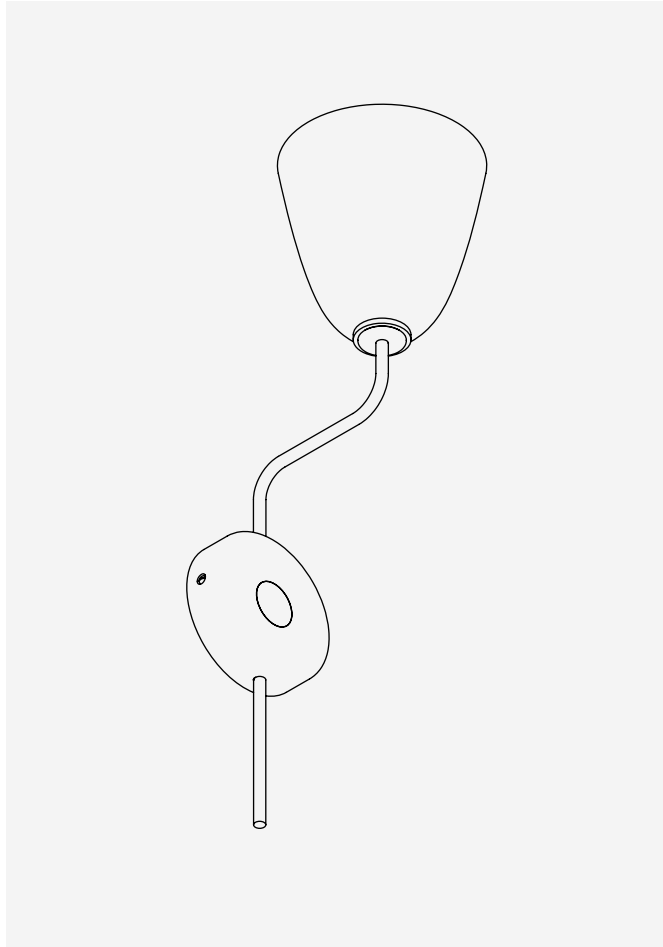


LOLA WALL SCONCE - HARDWIRED





DESCRIPTION


The Lola Sconce adopts the elegant details of our beloved Lola Chandelier with its tall ceramic shade, graceful brass arm and tasteful leather accents. The brass arm gently curves up and extends below the maple backplate, creating a smooth profile and balancing the design. With its refined silhouette, the Lola Sconce will effortlessly elevate your space.

SPECIFICATIONS

Stoneware Ceramic Shade

-  Cream
-  Dove
-  Robins Egg

Metal

-  Antique Brass
-  Satin Brass

Wood

-  Black Walnut
-  Clear Maple

Leather

-  Tan

Materials	Stoneware ceramic shade, wood, leather, brass
Lamping	1 x E12 Lamp Base. 120VAC
Bulb	To ensure lifelong performance we recommend the use of LED bulbs under 40 watts.
Certification	UL Listed.

CARE

We recommend using a microfiber dust cloth to care for ceramic fixtures. Kindly avoid additional cleaners and products.

Please care for the brass pieces with a soft cloth, and avoid using any abrasive cleaners or products.

Natural patina process is quickened by touch and exposure. Gloves are recommended for installation.

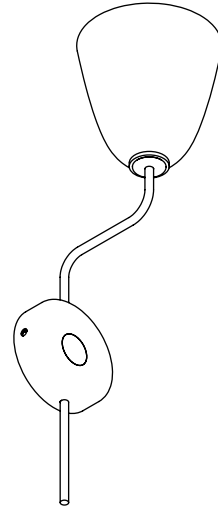
NOTES

1. Dimming compatible.
2. Dry location rated.
3. Made to order. Please allow 8-10 weeks for delivery.
4. Finish samples are available upon request.

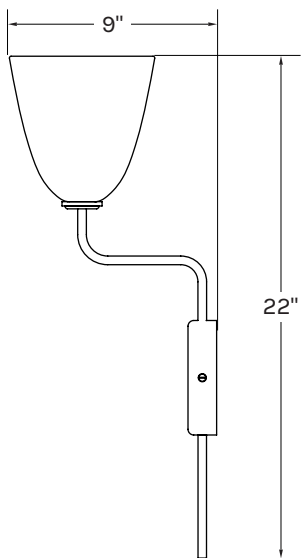
DIMENSIONS

Shade DIA:	6.25" DIA
Shade Height:	6.25" H
Backplate:	5" DIA
Overall Depth:	9" D
Overall Height:	22" H (Top - Bottom)

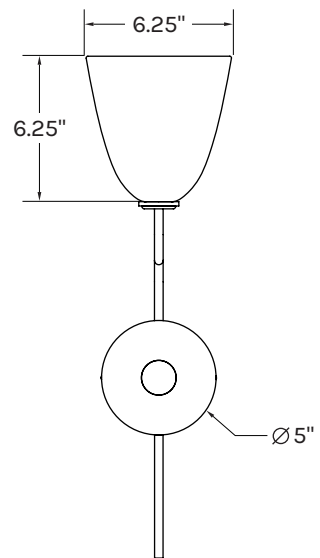
UNDERSIDE VIEW



SIDE VIEW

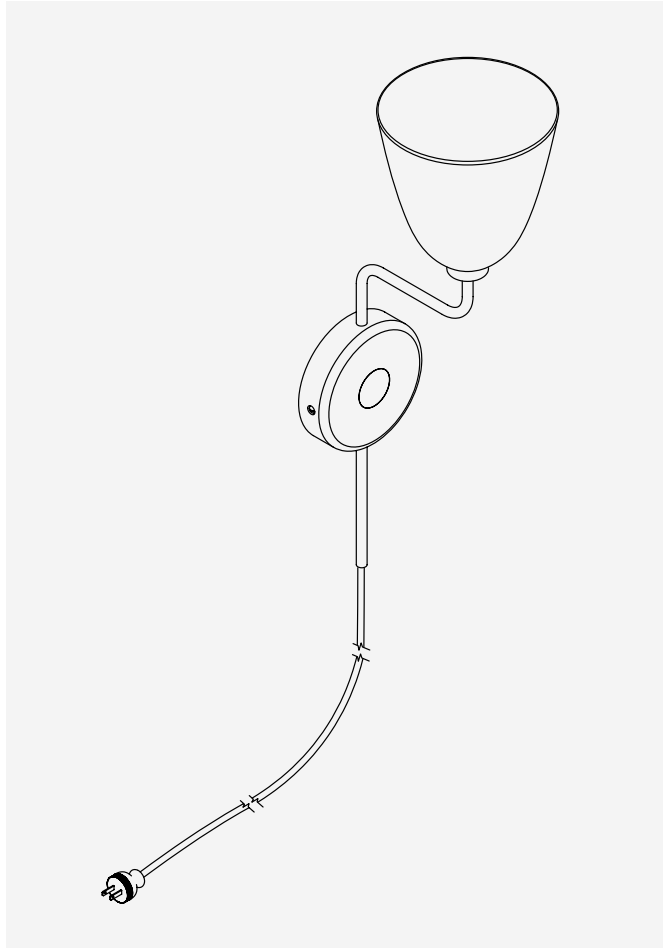


ISOMETRIC VIEW



LOLA WALL SCONCE - PLUG-IN





DESCRIPTION

The Lola Sconce adopts the elegant details of our beloved Lola Chandelier with its tall ceramic shade, graceful brass arm and tasteful leather accents. The brass arm gently curves up and extends below the maple backplate, creating a smooth profile and balancing the design. The warm satin brass and maple finish is paired with a beige cord which is held in place with a small wooden puck.

SPECIFICATIONS

Stoneware Ceramic Shade

- Cream
- Dove
- Robins Egg

Metal

- Antique Brass
- Satin Brass

Wood

- Black Walnut
- Clear Maple

Leather

- Tan

Cord

- Beige

Materials Stoneware ceramic shade, wood, leather, brass, beige cord.

Lamping 1 x E12 Lamp Base. 120VAC

Bulb To ensure lifelong performance we recommend the use of LED bulbs under 40 watts.

Certification UL Listed.

CARE

We recommend using a microfiber dust cloth to care for ceramic fixtures. Kindly avoid additional cleaners and products.

Please care for the brass pieces with a soft cloth, and avoid using any abrasive cleaners or products.

Natural patina process is quickened by touch and exposure. Gloves are recommended for installation.

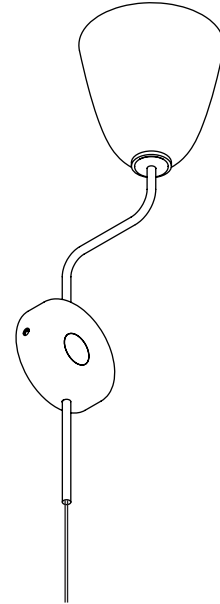
NOTES

1. Dry location rated.
2. Made to order. Please allow 8-10 weeks for delivery.
3. Finish samples are available upon request.

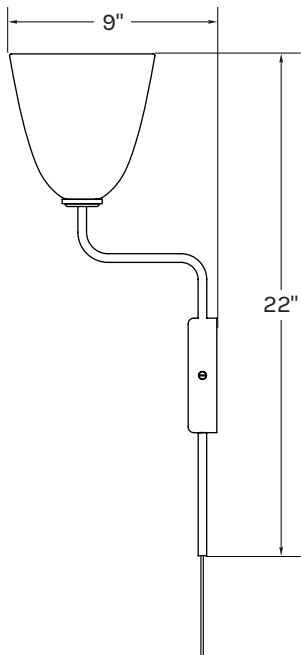
DIMENSIONS

Shade DIA:	6.25" DIA
Shade Height:	6.25" H
Backplate:	5" DIA
Overall Depth:	9" D
Overall Height:	22" H (Top - Bottom)
Cord:	10'

UNDERSIDE VIEW



SIDE VIEW



ISOMETRIC VIEW

