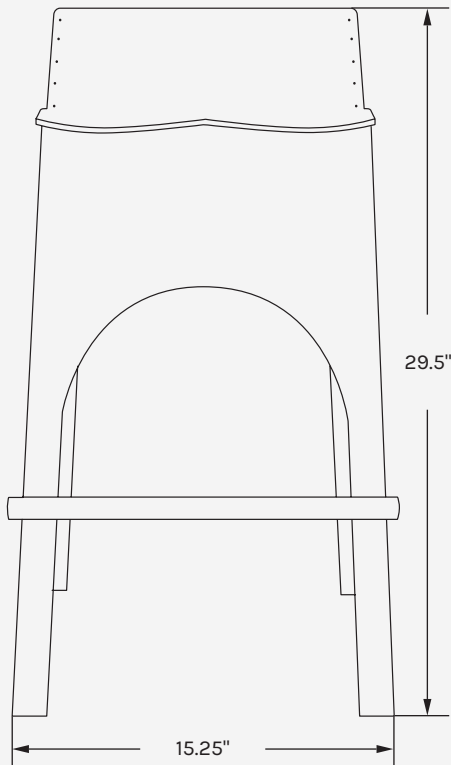
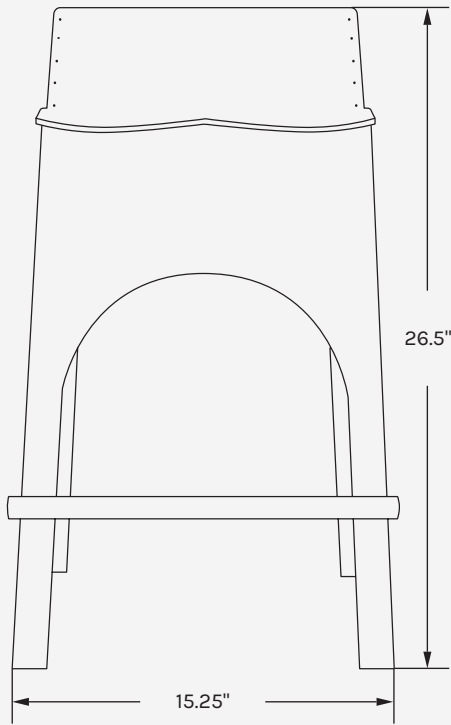


JACK STOOL





SPECIFICATIONS

LEATHER



Black Harness



Tan Harness

WOOD



Satin Maple

METAL



Powder Coated Steel

MATERIALS

Leather, Maple, Brass, Powder Coated Steel.

WEIGHT

Bar Height: 18.90 lbs

Counter Height: 18.60 lbs

CARE

We recommend using a microfiber dust cloth to care for wood pieces. Kindly avoid additional cleaners and products.

Please care for your leather products with a soft cloth and leather cleaner. Please be advised that exposure to sunlight and water will darken the leather.

NOTES

1. Made to order. Please allow a 10 - 12 week production lead time prior to shipping.
2. Finish samples available upon request.