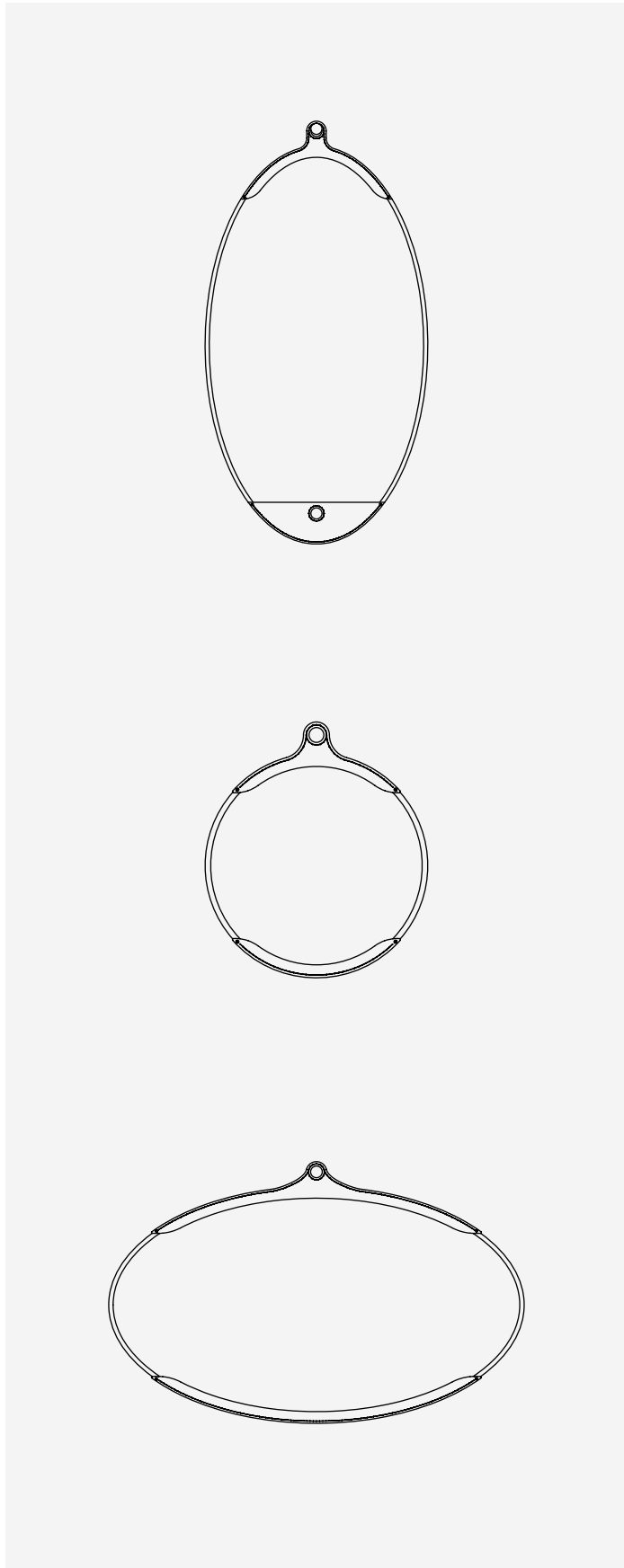


FAIRMOUNT MIRROR GROUP





SPECIFICATIONS

LEATHER



Black Harness



Tan Harness

MATERIALS

Leather, Iron hand hammered screw, Plain mirror.

WEIGHT

Long Oval: 9.10 LBS
 Wide Oval: 9.65 LBS
 Round: 2.80 LBS

CARE

1. Since each side of leather is different, the shade and texture of the leather will vary with each item. The patina created by daily wear-and-tear is meant to change and evolve over time.
2. Please care for your leather products with a soft cloth and a leather cleaner.

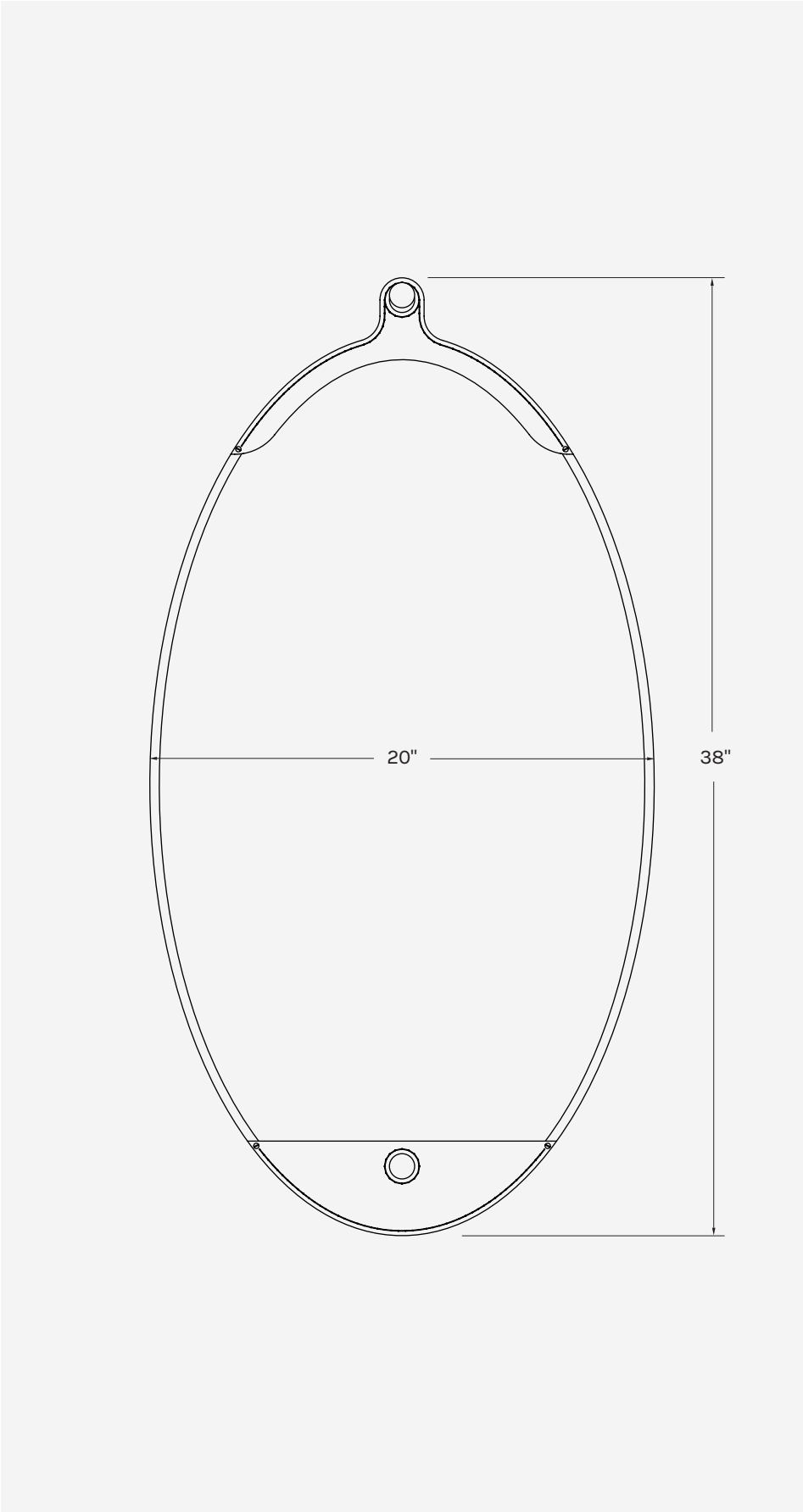
NOTES

1. Made to order. Please allow a 1 - 2 week production lead time prior to shipping.
2. Finish samples available upon request.

LONG OVAL

OVERALL DIMENSIONS

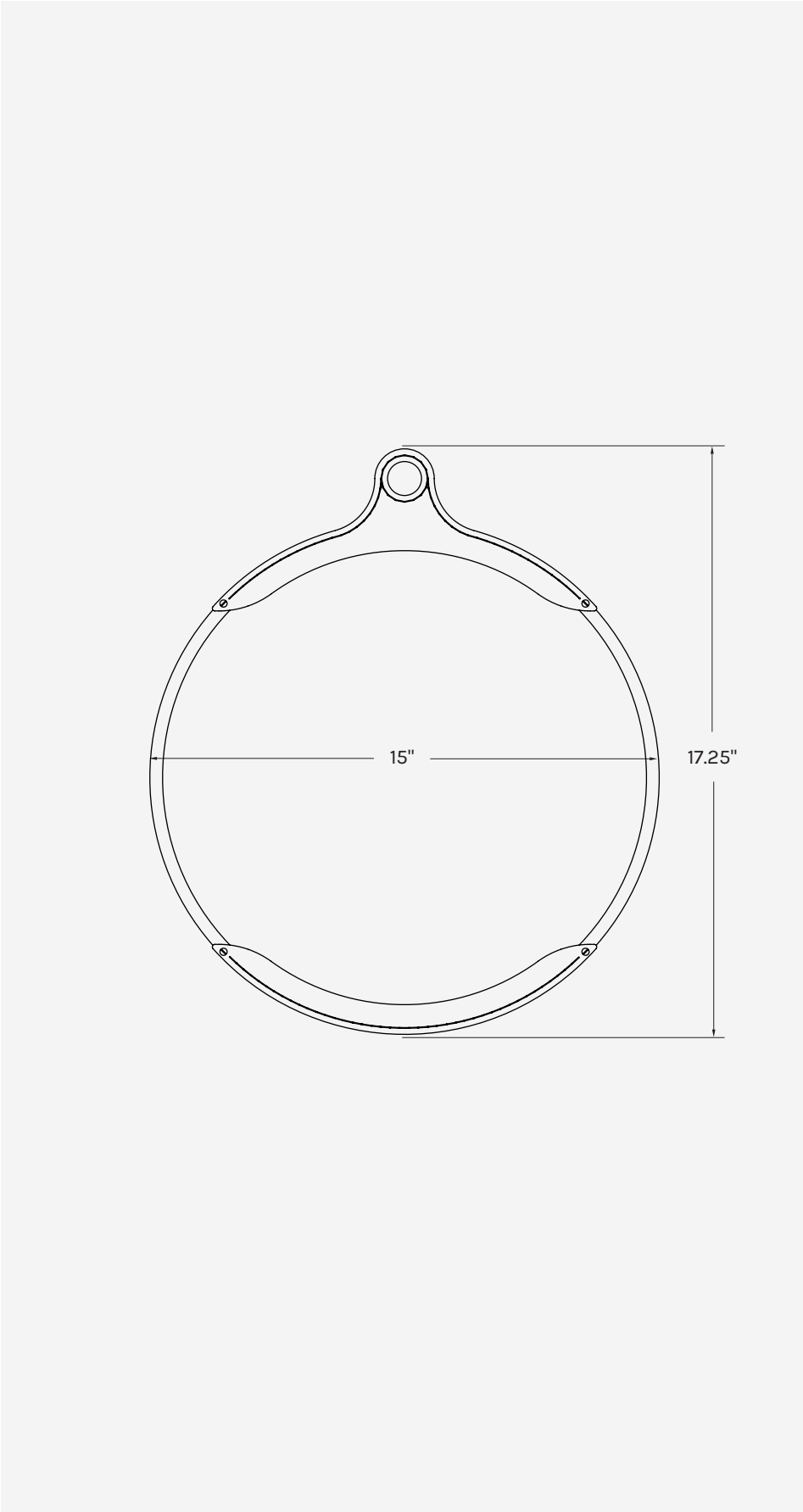
+ 20" W x 38" H



ROUND

OVERALL DIMENSIONS

+ 17.25" H x 15" DIA



WIDE OVAL

OVERALL DIMENSIONS
+ 22.25" H x 35.5" W

