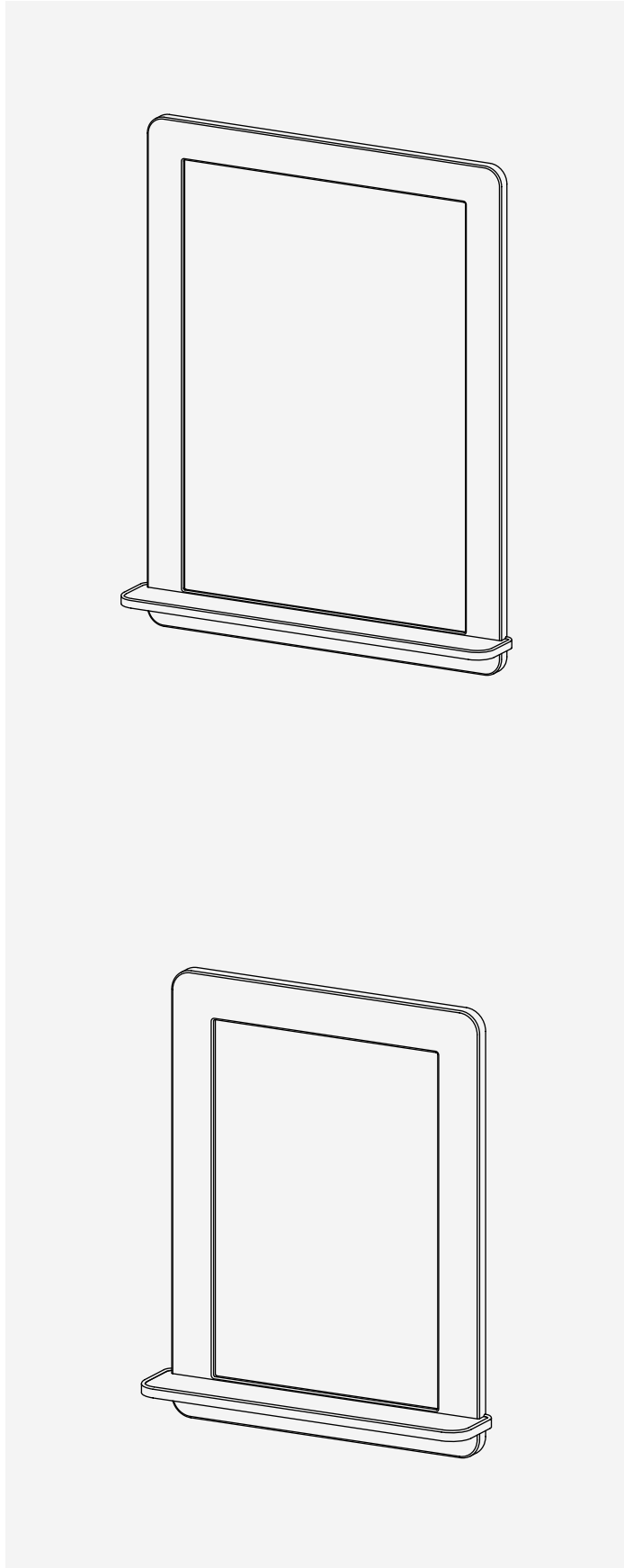


BENNETT MIRROR





SPECIFICATIONS


LEATHER


 Cognac

 Natural

 Eggshell

WOOD

 Clear Maple

 Walnut

MATERIALS

Leather, Wood, Glass

WEIGHT

Medium Walnut: 16.4 LBS

Large Walnut: 31 LBS

Medium Maple: 19.6 LBS

Large Maple: 26.7 LBS

CARE

1. We recommend using a microfiber dust cloth to care for wood pieces. Kindly avoid additional cleaners and products.
2. Please care for your leather products with a soft cloth and leather cleaner. Please be advised that exposure to sunlight and water will darken the leather.
3. Please care for the brass pieces with a soft cloth, and avoid using any abrasive cleaners or products.

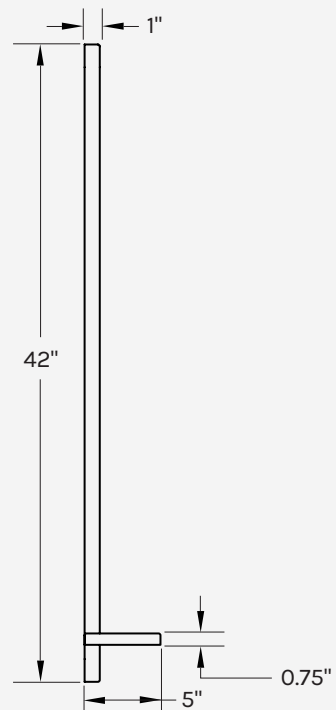
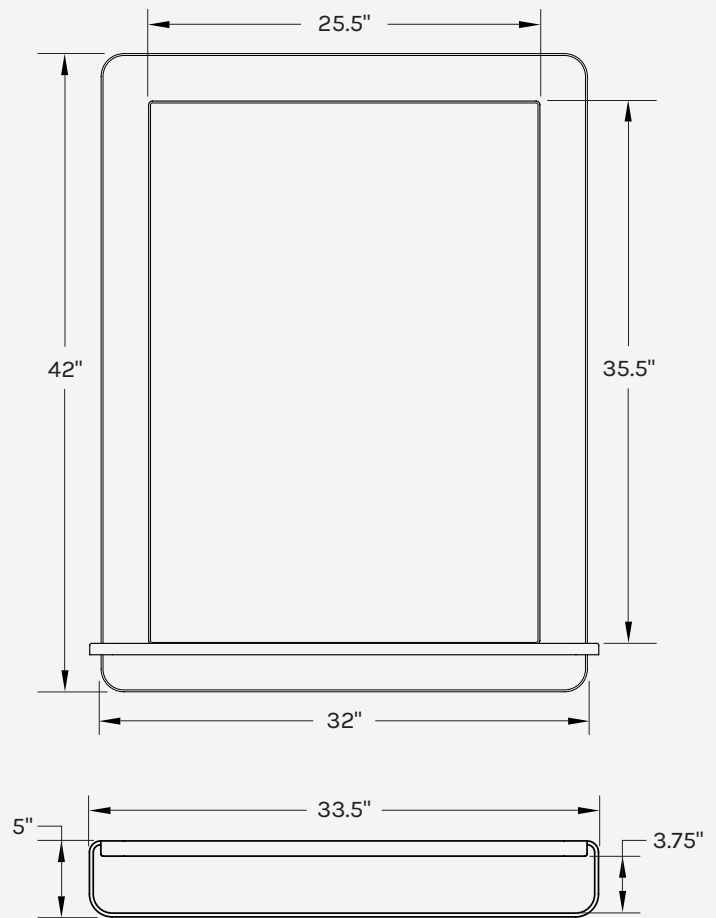
NOTES

1. Made to order. Please allow a 8 - 10 week production lead time prior to shipping.
2. Finish samples available upon request.

LARGE

OVERALL DIMENSIONS

- + Depth: 5" D
- + Total Height: 42" H
- + Total Width: 33.5" W
- + Mirror: 35.5" H x 25.5" W



MEDIUM

OVERALL DIMENSIONS

- + Depth: 5" D
- + Total Height: 32" H
- + Total Width: 25.5" W
- + Mirror: 25.5" H x 17.5" W

