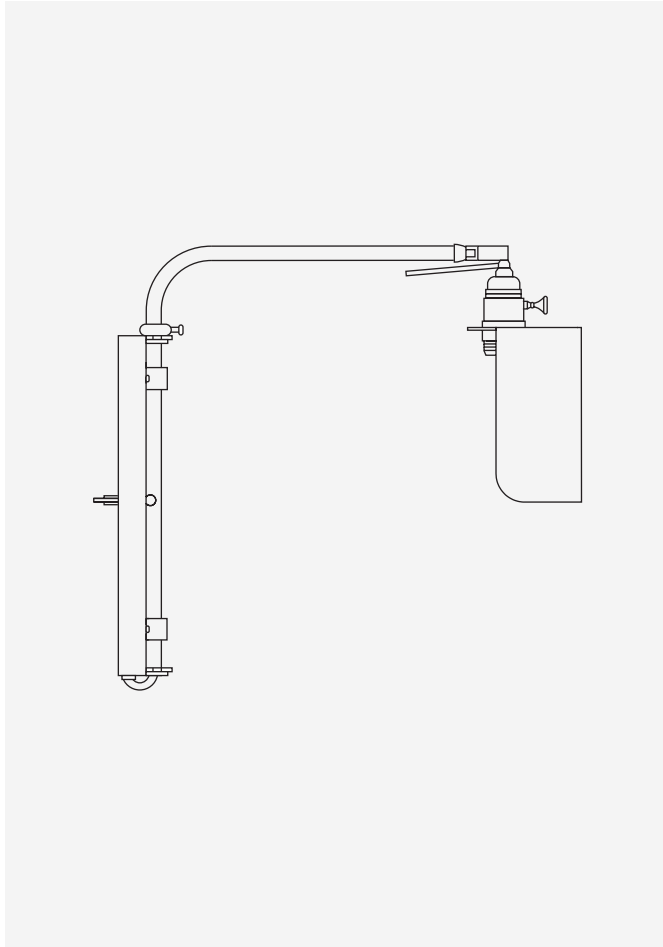


AVA WALL SCONCE - HARDWIRED





DESCRIPTION

The union of black walnut, brass, and hand-sewn leather make a sophisticated statement while integrating seamlessly with a wide range of design sensibilities.

SPECIFICATIONS

Leather Shade

- Black Harness
- Natural Harness
- Tan Harness

Wooden Backplate

- Black Walnut
- White Oak

Metal

- Satin Brass
- Tumbled Brass

Cord

- Brown Rayon

NOTES

1. The shade and texture of the leather will vary with each item. The patina created by daily wear-and-tear is meant to change and evolve over time.
2. Dimming compatible.
3. Dry location rated.
4. Made to order. Please allow 4-6 weeks for delivery.
5. Finish samples are available upon request.

Materials

Black walnut or white oak, hand-sewn leather, satin brass, tumbled brass, rayon cord.

Lamping

1 x E26. 250V/250W

Bulb

To ensure lifelong performance we recommend the use of LED bulbs under 40 watts.

Certification

UL Certified

Product Weight (lbs)

3.70

CARE

Please care for your leather products with a soft cloth and a leather cleaner.

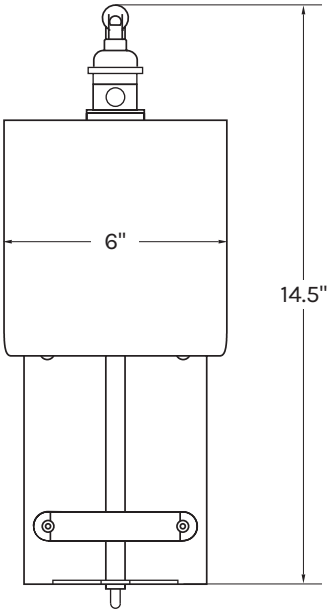
Please care for the brass pieces with a soft cloth, and avoid using any abrasive cleaners or products.

We recommend using a microfiber dust cloth to care for wood fixtures. Kindly avoid additional cleaners and products.

DIMENSIONS

Total Height: 14.5" H
Shade: 6" W

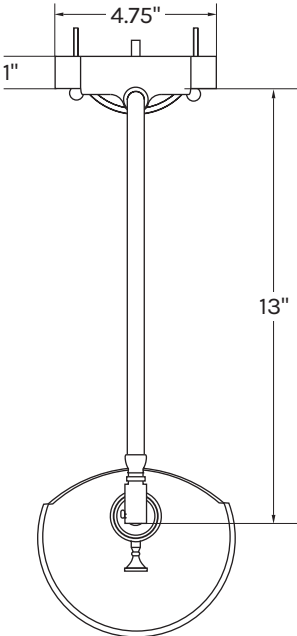
ISOMETRIC

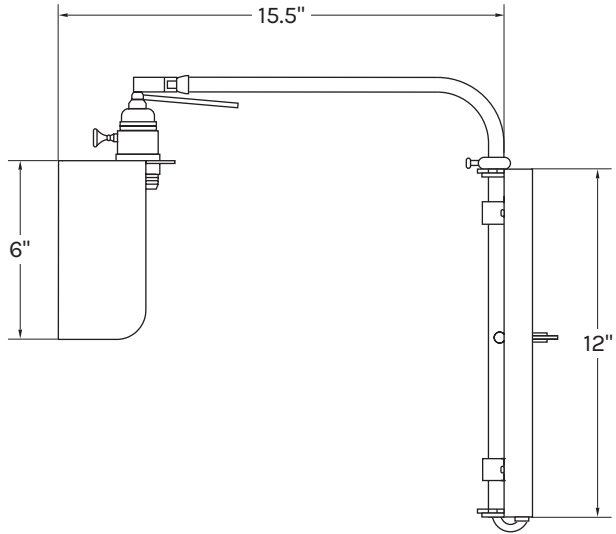


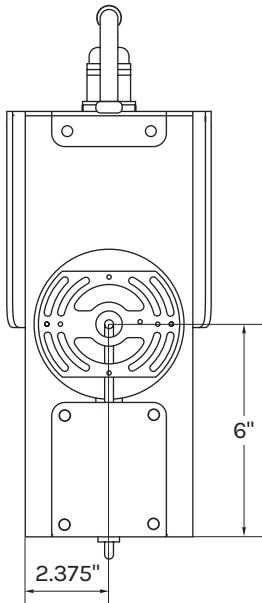
DIMENSIONS

Arm-to-Socket: 13" L
Backplate: 4.75" W x 1" D

ABOVE

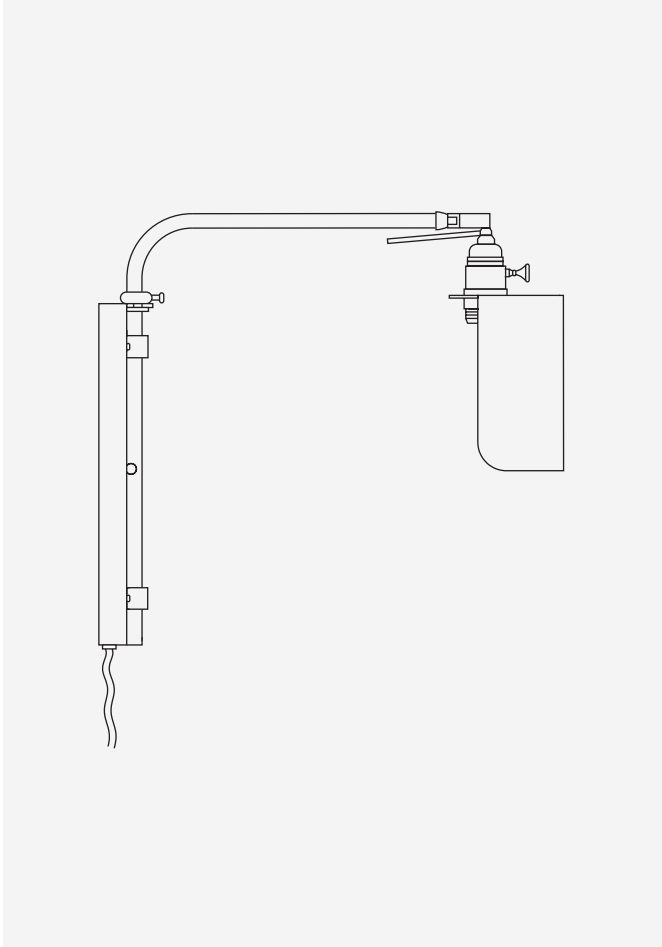


DIMENSIONS	PROFILE
<p>Arm-to-Shade: 15.5" L</p> <p>Shade: 6" H</p> <p>Backplate: 12" H</p>	 <p>The profile view shows a side view of the sconce. A horizontal dimension line indicates the arm length is 15.5 inches. A vertical dimension line on the left indicates the shade height is 6 inches. A vertical dimension line on the right indicates the backplate height is 12 inches. The sconce features a curved arm and a cylindrical shade.</p>

DIMENSIONS	BACK
<p>Backplate: 4.75" W x 12" H x 1" D</p>	 <p>The back view shows the mounting plate and electrical components. A horizontal dimension line at the bottom indicates a width of 2.375 inches. A vertical dimension line on the right indicates a height of 6 inches. The drawing shows a circular electrical component with a grid pattern and a mounting bracket at the top.</p>

AVA WALL SCONCE - PLUG-IN





DESCRIPTION

The union of black walnut, brass, and hand-sewn leather make a sophisticated statement while integrating seamlessly with a wide range of design sensibilities.

SPECIFICATIONS

Leather Shade

- Black Harness
- Natural Harness
- Tan Harness

Wooden Backplate

- Black Walnut
- White Oak

Metal

- Satin Brass
- Tumbled Brass

Cord

- Brown Rayon

Materials	Black walnut or white oak, hand-sewn leather, satin brass, tumbled brass, rayon cord.
Lamping	1 x E26. 250V/250W
Bulb	To ensure lifelong performance we recommend the use of LED bulbs under 40 watts.
Certification	Can be UL certified. Please inquire.
Product Weight (lbs)	3.70

NOTES

1. The shade and texture of the leather will vary with each item. The patina created by daily wear-and-tear is meant to change and evolve over time.
2. Dry location rated.
3. Made to order. Please allow 4-6 weeks for delivery.
4. Finish samples are available upon request.

CARE

Please care for your leather products with a soft cloth and a leather cleaner.

Please care for the brass pieces with a soft cloth, and avoid using any abrasive cleaners or products.

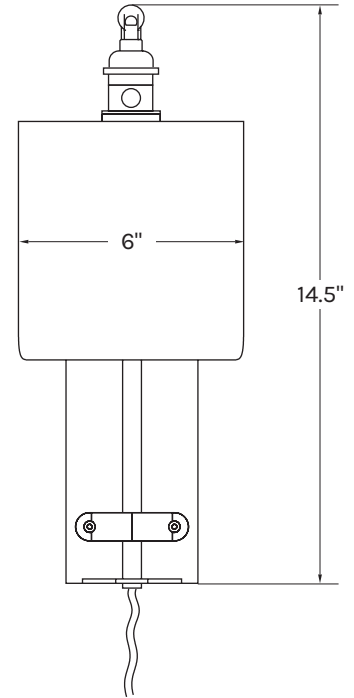
We recommend using a microfiber dust cloth to care for wood fixtures. Kindly avoid additional cleaners and products.

DIMENSIONS

Total Height: 14.5" H

Shade: 6" W

ISOMETRIC

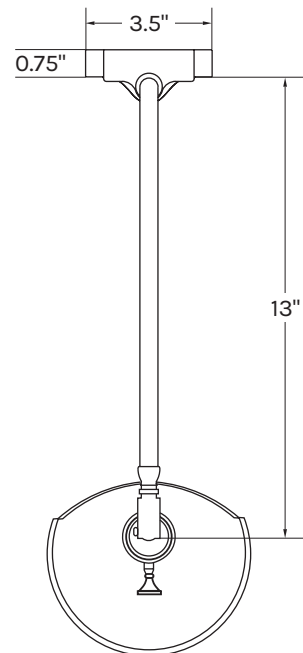


DIMENSIONS

Arm-to-Socket: 13" L

Backplate: 3.5" W x 0.75" D

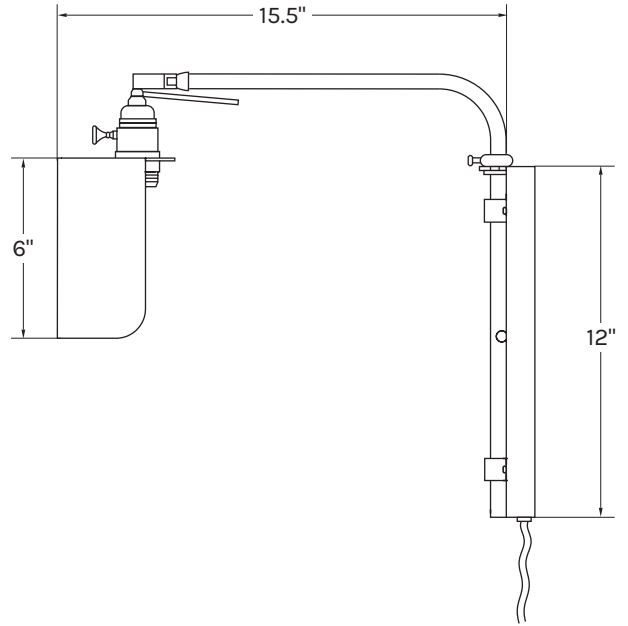
ABOVE



DIMENSIONS

Arm-to-Shade: 15.5" L
Shade: 6" H
Backplate: 12" H

SIDE



DIMENSIONS

Backplate: 3.5" W x 12" H x 0.75" D

BACK

