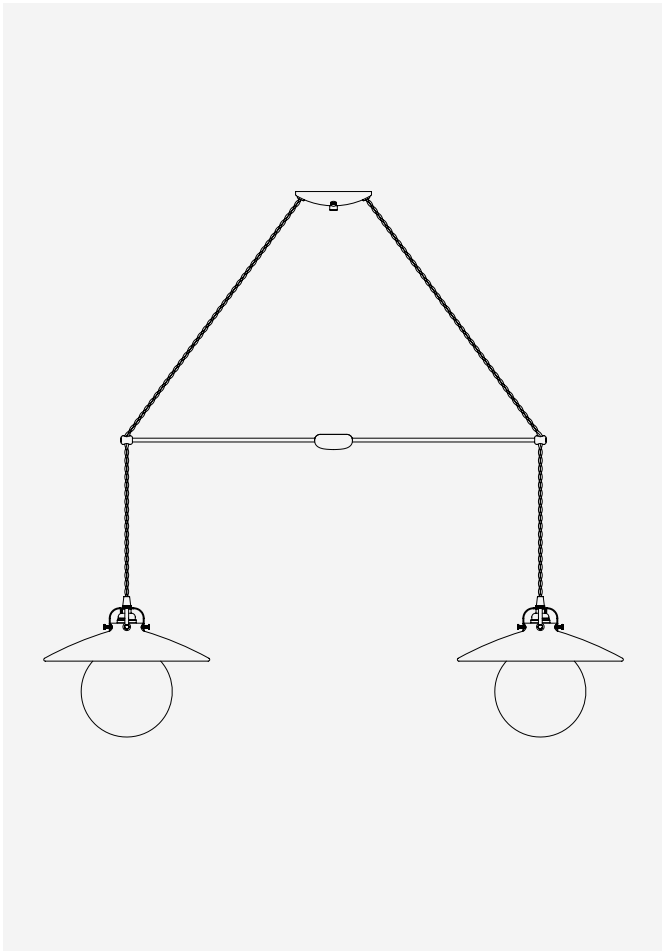


THE ELSA SYSTEM

Edmund Chandelier - Double





SPECIFICATIONS

PUCK

| | | |
|---|---|--|
|  Clear |  Natural |  Walnut |
|---|---|--|

CANOPY + FRAMEWORK

| |
|---|
|  Satin Brass |
|---|

SHADE

| | | |
|---|---|--|
|  Clear |  Natural |  Walnut |
|---|---|--|

MOUNT

Flat ceiling standard mount. Can be adjusted for a sloped ceiling when installing.

MATERIALS

Elsa System: Satin Brass with Black Walnut, Clear Maple or Natural Maple

Pendant: Black Walnut, Clear Maple or Natural Maple with Clear Glass, Brown Cord

LAMPING

2 x E26 base, 120 VAC

BULB

To ensure lifelong performance we recommend the use of LED bulbs under 40 watts.

CERTIFICATION

Can be UL certified. Please inquire.

CARE

Please care for the brass pieces with a soft cloth, and avoid using any abrasive cleaners or products.

We recommend using a microfiber dust cloth to care for wood fixtures. Kindly avoid additional cleaners and products.

NOTES

1. Finish samples are available upon request.
2. Made to order. Please allow 4-6 weeks for delivery.
3. The Elsa System ships pre-assembled with a 36" drop. An installation kit and instructions are included allowing you to adjust the drop to the height of your choosing.
4. Light bulb not included. Tala Lurra 3-Watt Lightbulb, Tala Globe 6-Watt Lightbulb or Tala Squirrel Cage 3-Watt Lightbulb can be purchased separately for strong, smooth and warm light with full dimming compatibility.

Not compatible with the Tala Elva 6-Watt Lightbulb or Tala Porcelain II Lightbulb.

ELSA SYSTEM DROP CALCULATION

STANDARD DROP HEIGHT

36" Overall Drop Height / 10.5" Lower Drop Height

Each pendant installed on The Elsa System comes with additional cord to allow adjustments to the overall drop as needed.

UPPER DROP CORD LENGTH CALCULATION

$$\text{Upper Drop}^2 + 11.5^2 = \text{Upper Drop Cord Length}^2$$

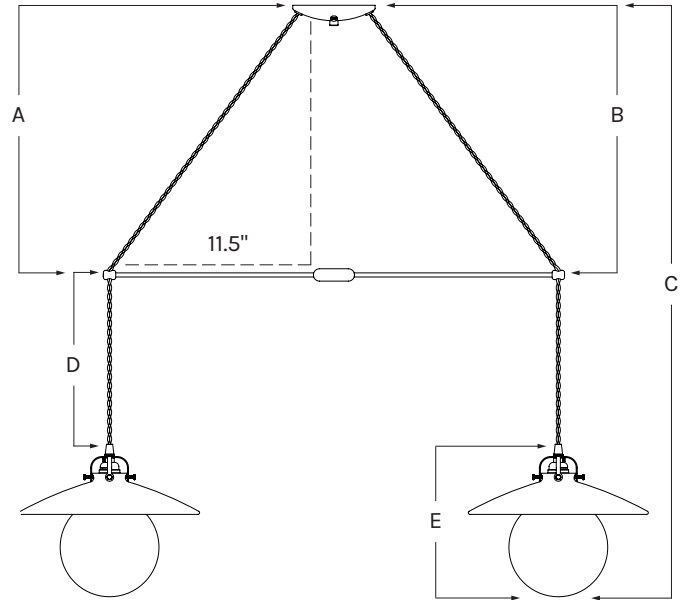
OVERALL DROP CALCULATION

$$\text{Height of Pendant} + \text{Lower Drop} + \text{Upper Drop} = \text{Overall Drop Height}$$

OVERALL DROP EXAMPLE

$$\text{Height of Pendant} + \text{Lower Drop} + \text{Upper Drop}$$

$$9.25" + 10.5" + 16.25" = 36"$$



- A Upper Drop Cord Length
- B Upper Drop
- C Overall Drop
- D Lower Drop
- E Pendant Height

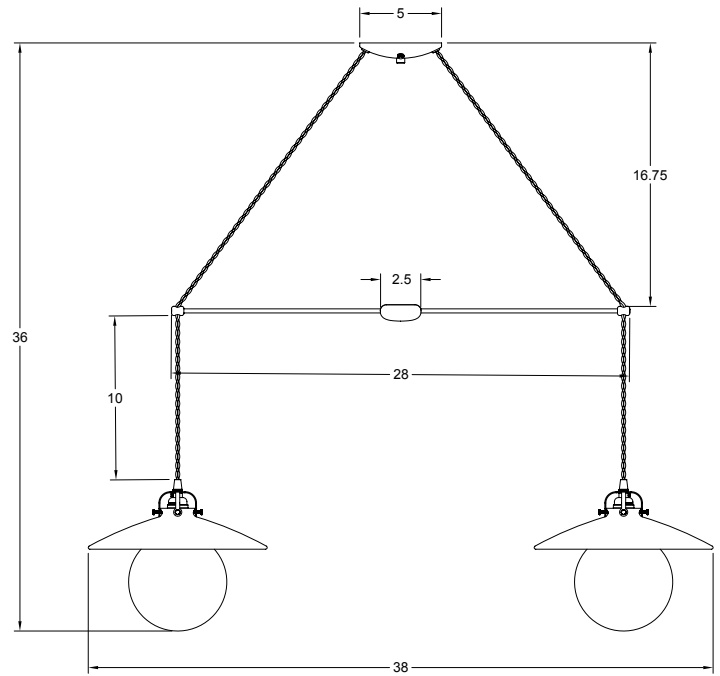
DIMENSIONS

Overall:
 + 38" L x 11" W x 22" H (min) - 10' (max)
 + Please inquire for overall drops beyond 10 feet.

Elsa System:
 + Brass Center Bar: 28" L
 + Puck: 2.5" DIA
 + Canopy: 5" DIA

Pendant:
 + 11" DIA
 + 9,25" H
 + Cord Length: 10'
 + Opening at top of globe: 3"
 + Weight: 2.65 lbs

ISOMETRIC



UNDERSIDE

